

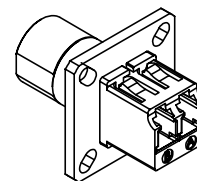
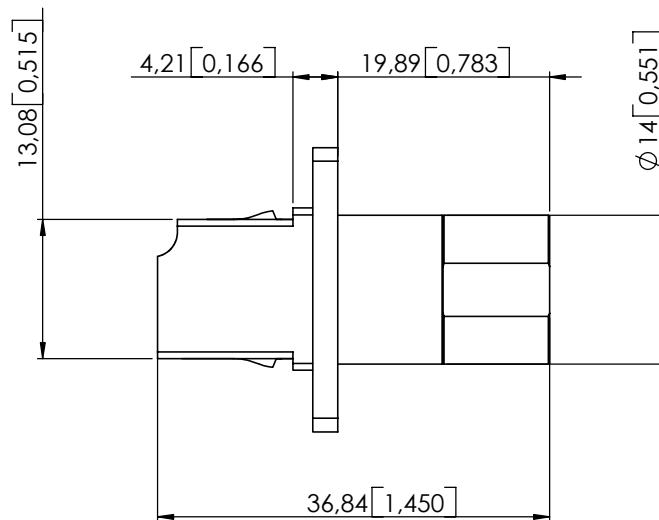
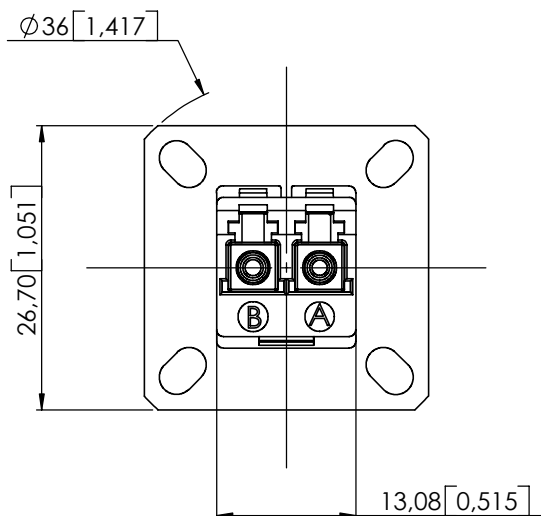


Series
Adapt.

**LC-LUXCIS ML SINGLEMODE PC DUPLEX ADAPTOR
SQUARE RECEPTACLE**

Issue:
July.07, 2004

Page
1/1



Sca: 1:1

GENERAL

TYPE: Inter series adaptor LC-LUXCIS ML SINGLEMODE PC
LC : IEC 61754-20 (LC)
RJ-45 latching system
LUXCIS : LuxCis ML contact, mono key
Zirconia alignment sleeve

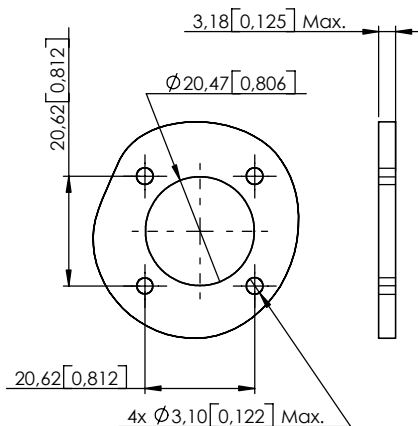
INSERTION/EXTRACTION TOOL: 282 546 (standard M81969/1.03)

PANEL DIMENSIONS: Conform to standard MIL-DTL-38999K size 11 connector

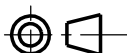
CHARACTERISTICS (Depending on fiber or cable construction)

MECHANICAL: - Mechanical endurance : 200 mating cycles

ENVIRONMENTAL: - Storage temperature -40[°C] to +85[°C]
- Operating temperature -40[°C] to +70[°C]



DIMENSIONS: mm (inch) -



This information is given as an indication in the continual goal to improve our products, we reserve the right to make any modifications judged necessary.

4112_9311

CREATION					
PEN: M030400059A					
NAME: PHILIPPEAU S					
DATE: April.14.2004	07/07/04	Specified ML singlemode PC duplex and remove for loose cable structure	PHILIPPEAU	MANNEVY	
APPR.: MARIE A.	Issue	Revisions	Name	Approved	